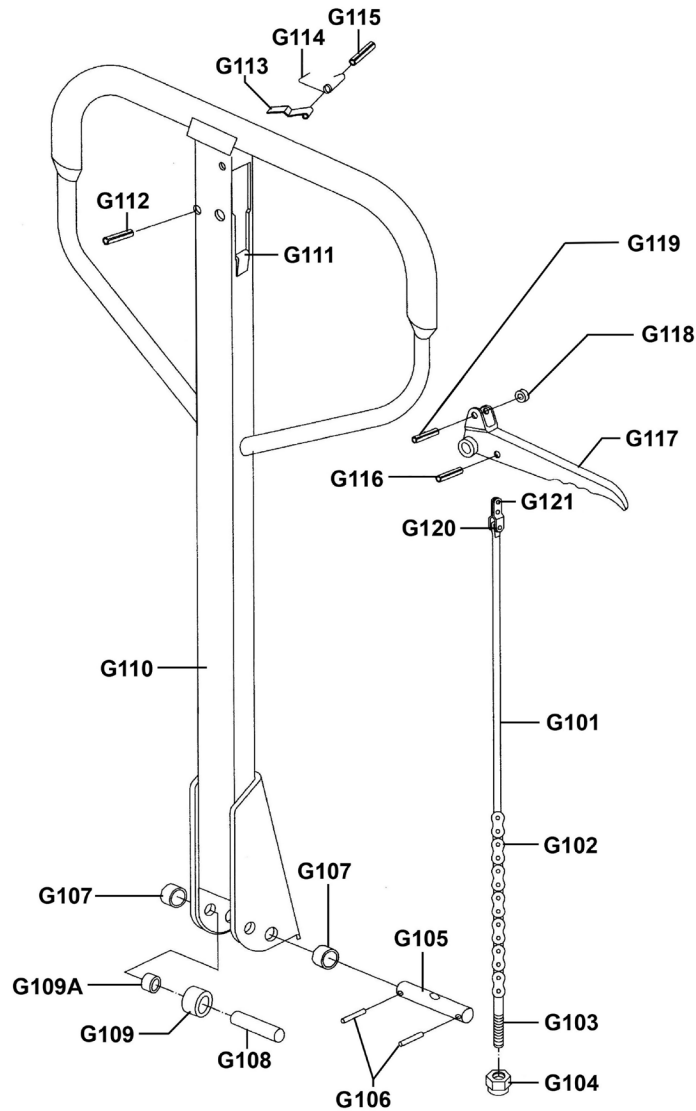


Parts Information:
Pallet Truck with Scales 1150 x 555mm
2000kg Capacity
Model No: PT1150SC.V4



| Item | Part No. | Description | Qty |
|-------|-------------------|--|-----|
| G101 | PT1150SC-V4-G101 | Release Rod Ø6 x 670 | 1 |
| G102 | PT1150SC-V4-G102 | Release Rod Chain | 1 |
| G103 | PT1150SC-V4-G103 | Release Rod (Shaft) | 1 |
| G104 | PT1150SC-V4-G104 | Adjusting Nut | 1 |
| G105 | PT1150SC-V4-G105 | Handle Axle Ø20 x 103 | 1 |
| G106 | PT1150SC-V4-G106 | Spring Pin 5 x 35 | 2 |
| G107 | PT1150SC-V4-G107 | Bush (with Shoulder) Ø20 x Ø22 x 15-SF-1 | 2 |
| G108 | PT1150SC-V4-G108 | Axle for Handle Ø15 x 60 | 1 |
| G109 | PT1150SC-V4-G109 | Pressure Roller Ø24 x Ø17 x 36 | 1 |
| G109A | PT1150SC-V4-G109A | Bush Ø15 x Ø17 x 15-SF-1 | 2 |
| G110 | PT1150SC-V4-G110 | Handle Frame | 1 |

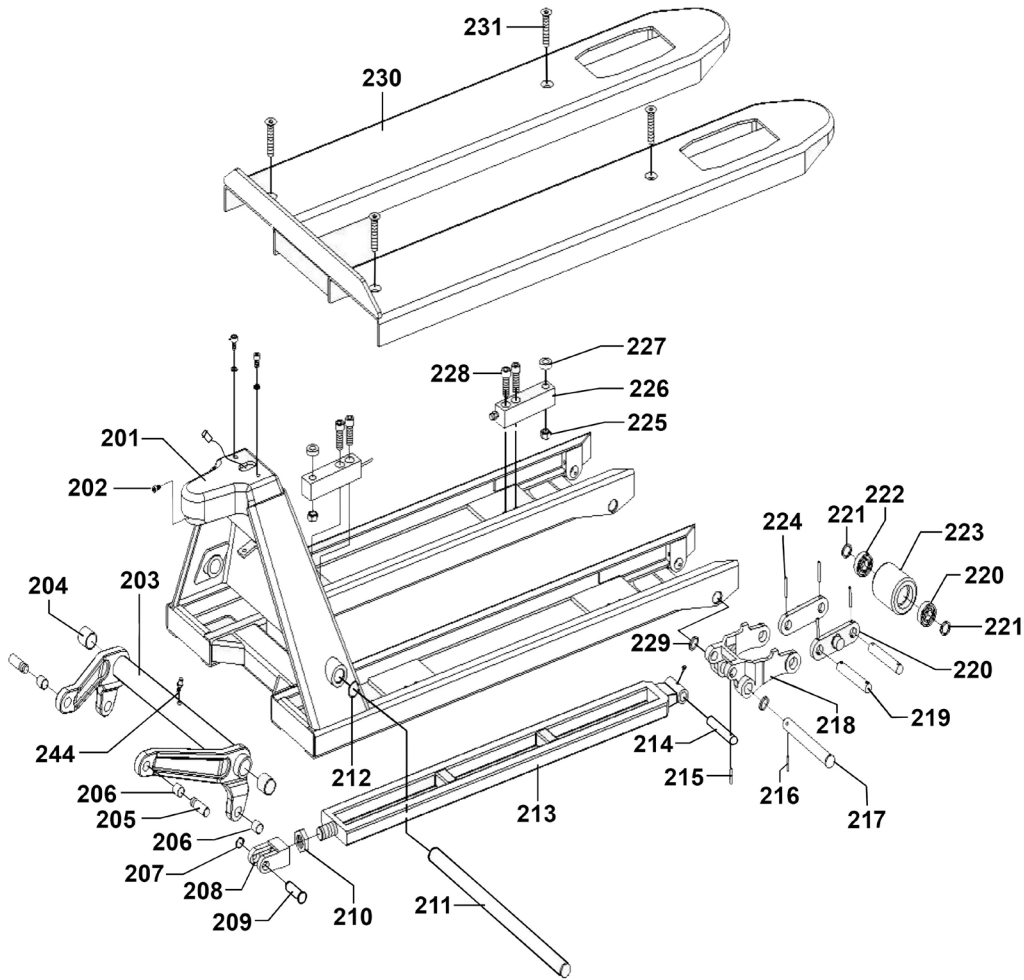
| Item | Part No. | Description | Qty |
|------|------------------|---|-----|
| G111 | PT1150SC-V4-G111 | Rubber Cushion | 1 |
| G112 | PT1150SC-V4-G112 | Spring Pin 6 x 30 | 1 |
| G113 | PT1150SC-V4-G113 | Blade Spring | 1 |
| G114 | PT1150SC-V4-G114 | Spring for Control Handle Ø6.6 x Ø1.6 x 3.6 | 1 |
| G115 | PT1150SC-V4-G115 | Spring Pin 4 x 30 | 1 |
| G116 | PT1150SC-V4-G116 | Spring Pin 4 x 14 | 1 |
| G117 | PT1150SC-V4-G117 | Control Handle | 1 |
| G118 | PT1150SC-V4-G118 | Roller Ø12 x Ø4.5 x 10 | 1 |
| G119 | PT1150SC-V4-G119 | Spring Pin 4 x 20 | 1 |
| G120 | PT1150SC-V4-G120 | Linking Plate | 1 |
| G121 | PT1150SC-V4-G121 | Rivet 4 x 10 | 1 |

NOTE: It is our policy to continually improve products and as such we reserve the right to alter data, specifications and component parts without prior notice. There may be alternative versions of this product, please contact us should you require this information.

IMPORTANT: No liability is accepted for incorrect use of product. Spare parts must be fitted by a competent person

WARRANTY: Guarantee is 12 months from purchase date, proof of which will be required for any claim.

Parts Information:
Pallet Truck with Scales 1150 x 555mm
2000kg Capacity
Model No: PT1150SC.V4



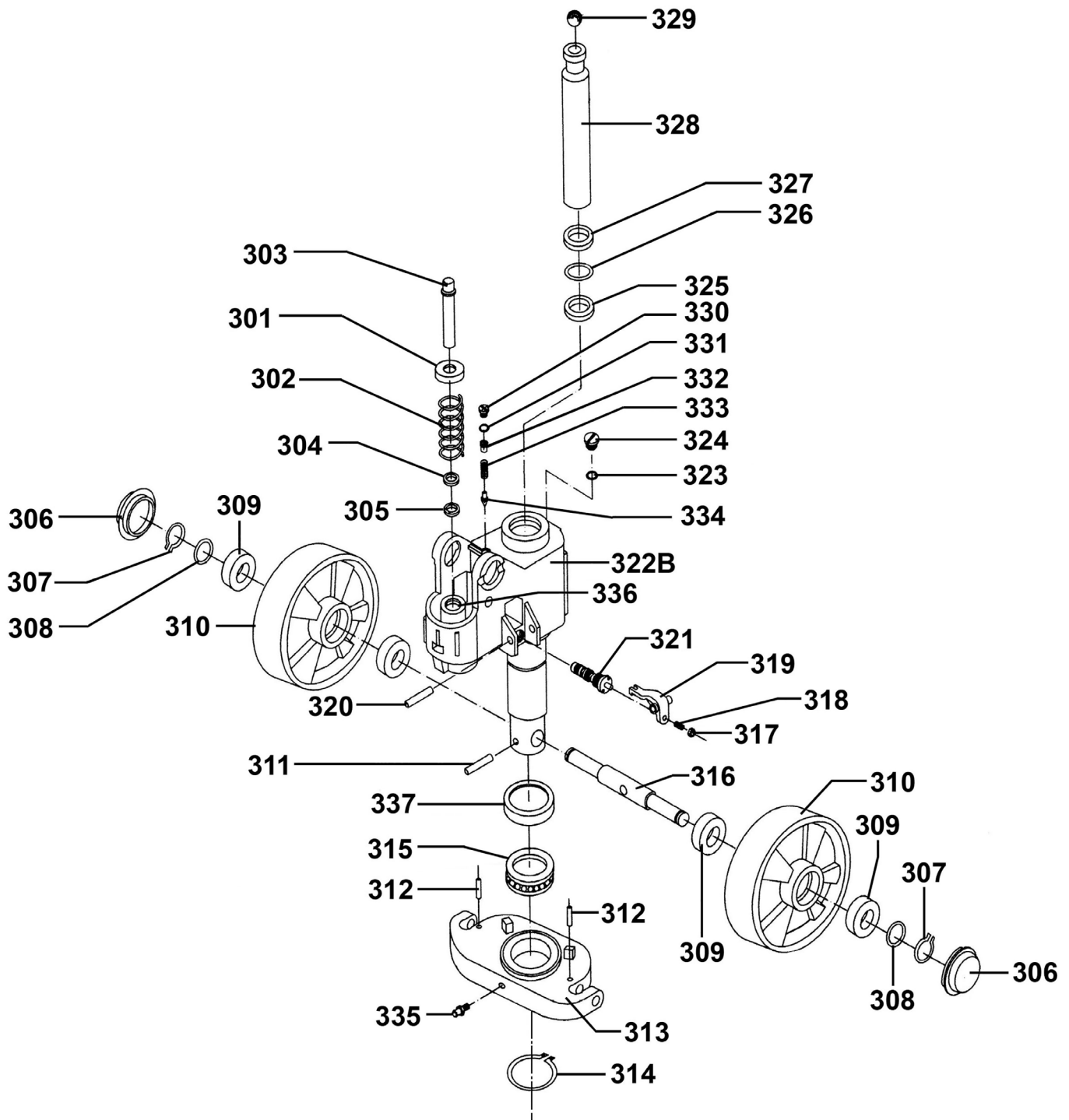
| Item | Part No. | Description | Qty |
|------|-----------------|-------------------------------------|-----|
| 201 | PT1150SC-V4-201 | Frame | 1 |
| 202 | PT1150SC-V4-202 | Screw M6 | 1 |
| 203 | PT1150SC-V4-203 | Rocker Arm | 1 |
| 204 | PT1150SC-V4-204 | Rocker Arm Bush Ø25 x Ø29 x 25-SF-1 | 2 |
| 205 | PT1150SC-V4-205 | Rocker Arm Axle Ø16 x 48 | 2 |
| 206 | PT1150SC-V4-206 | Rocker Arm Bush Ø16 x Ø18 x 15-SF-1 | 4 |
| 207 | PT1150SC-V4-207 | External Circlip | 2 |
| 208 | PT1150SC-V4-208 | Push Rod Fork | 2 |
| 209 | PT1150SC-V4-209 | Hinge Pin Ø16 x 48 | 2 |
| 210 | PT1150SC-V4-210 | Nut M22 | 2 |
| 211 | PT1150SC-V4-211 | Rocker Arm Axle Ø25 x 476.5 | 1 |
| 212 | PT1150SC-V4-212 | External Circlip | 2 |
| 213 | PT1150SC-V4-213 | Push Rod | 2 |
| 214 | PT1150SC-V4-214 | Push Rod Axle Ø16 x 82 | 2 |
| 215 | PT1150SC-V4-215 | Spring Pin 5 x 28 | 2 |
| 216 | PT1150SC-V4-216 | Spring Pin 5 x 35 | 2 |
| 217 | PT1150SC-V4-217 | Roller Frame Axle Ø20 x 155 | 2 |

| Item | Part No. | Description | Qty |
|------|-----------------|--|-----|
| 218 | PT1150SC-V4-218 | Roller Frame | 2 |
| 219 | PT1150SC-V4-219 | Roller Axle Ø20 x 94 | 4 |
| 220 | PT1150SC-V4-220 | Linking Plate | 4 |
| 221 | PT1150SC-V4-221 | Washer | 8 |
| 222 | B/6204-2RS | Bearing 6204-2rs | 8 |
| 223 | PT1150SC-V4-223 | Roller w/o Bearing (D:74 W:70 B:46mm) PU | 4 |
| 224 | PT1150SC-V4-224 | Spring Pin 5 x 35 | 8 |
| 225 | SN12.S | Steel Nut M12 Zinc | 4 |
| 226 | PT1150SC-V4-226 | Sensor | 4 |
| 227 | PT1150SC-V4-227 | Washer | 4 |
| 228 | SCB1230.SB | Socket Cap Bolt M12 x 30mm Black | 8 |
| 229 | PT1150SC-V4-229 | Washer | 4 |
| 230 | PT1150SC-V4-230 | Frame Cover (555 x 1150) | 1 |
| 231 | PT1150SC-V4-231 | Screw M12 x 63 | 4 |
| 244 | PT1150SC-V4-244 | Grease Nipple M6 45° | 1 |

NOTE: It is our policy to continually improve products and as such we reserve the right to alter data, specifications and component parts without prior notice. There may be alternative versions of this product, please contact us should you require this information.

IMPORTANT: No liability is accepted for incorrect use of product. Spare parts must be fitted by a competent person

WARRANTY: Guarantee is 12 months from purchase date, proof of which will be required for any claim.



| Item | Part No. | Description | Qty |
|------|-----------------|-----------------------------|-----|
| 301 | PT1150SC-V4-301 | Spring Cap Ø54 x Ø18.5 x 17 | 1 |
| 302 | PT1150SC-V4-302 | Spring Ø43.3 x Ø5.7 x 87 | 1 |
| 303 | PT1150SC-V4-303 | Piston Ø18 x 86.5 | 1 |
| 304 | PT1150SC-V4-304 | Dust Ring Ø18 x 26 x 4.5 | 1 |

| Item | Part No. | Description | Qty |
|------|-----------------|-----------------------|-----|
| 305 | PT1150SC-V4-305 | Seal Ring 18 x 26 x 5 | 1 |
| 306 | PT1150SC-V4-306 | Dust Cover | 2 |
| 307 | PT1150SC-V4-307 | External Circlip | 2 |
| 308 | PT1150SC-V4-308 | Washer | 1 |

NOTE: It is our policy to continually improve products and as such we reserve the right to alter data, specifications and component parts without prior notice. There may be alternative versions of this product, please contact us should you require this information.

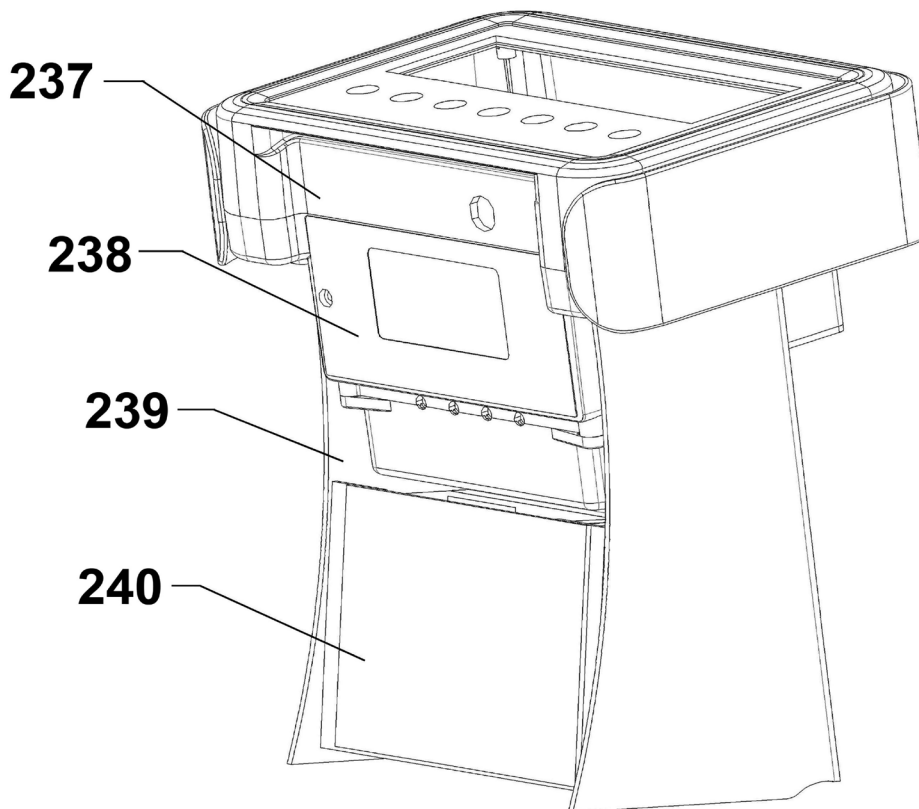
IMPORTANT: No liability is accepted for incorrect use of product. Spare parts must be fitted by a competent person

WARRANTY: Guarantee is 12 months from purchase date, proof of which will be required for any claim.

Parts Information:
Pallet Truck with Scales 1150 x 555mm
2000kg Capacity
Model No: PT1150SC.V4

| Item | Part No. | Description | Qty |
|------|-----------------|---|-----|
| 309 | B/6204-2RS | Bearing 6204-2rs | 4 |
| 310 | PT1150SC-V4-310 | Wheel, Fixed, Red Plastic Coated (D: 180 W: 50 B: 45) | 2 |
| 311 | PT1150SC-V4-311 | Spring Pin 8 x 45 | 1 |
| 312 | PT1150SC-V4-312 | Spring Pin 5 x 30 | 2 |
| 313 | PT1150SC-V4-313 | Thrust Plate | 1 |
| 314 | PT1150SC-V4-314 | External Circlip | 1 |
| 315 | B/51111 | Bearing Race 51111 | 1 |
| 316 | PT1150SC-V4-316 | Steering Wheel Axle Ø25 x 180 | 1 |
| 317 | SN8.S | Steel Nut M8 Zinc | 1 |
| 318 | PT1150SC-V4-318 | Adjustment Screw M8x20 | 1 |
| 319 | PT1150SC-V4-319 | Lever Plate | 1 |
| 320 | PT1150SC-V4-320 | Spring Pin 8 x 50 | 1 |
| 321 | PT1150SC-V4-321 | Hydraulic Valve Assembly | 1 |
| 322B | PT1150SC-V4-322 | Hydraulic Cylinder Assembly (Black) | 1 |
| 323 | PT1150SC-V4-323 | Rubber Seal 15 x 10 x 3 | 1 |

| Item | Part No. | Description | Qty |
|------|-----------------|---|-----|
| 324 | PT1150SC-V4-324 | Pump Screw | 1 |
| 325 | PT1150SC-V4-325 | Seal Ring for Pump Piston 35 x 45 x 6 | 1 |
| 326 | PT1150SC-V4-326 | O-Ring 34.52 x 3.53 | 1 |
| 327 | PT1150SC-V4-327 | Dust Ring 35 x 43 x 5 | 1 |
| 328 | PT1150SC-V4-328 | Piston Ø35 x 277 | 1 |
| 329 | SB-18.2 | Steel Ball 18.2mm | 1 |
| 330 | PT1150SC-V4-330 | Safety Valve Screw M14 x 1.5 x 6 | 1 |
| 331 | PT1150SC-V4-331 | Safety Valve O-Ring 18 x 2.4 | 1 |
| 332 | PT1150SC-V4-332 | Adjusting Screw M12 x 1.5 x 18 | 1 |
| 333 | PT1150SC-V4-333 | Safety Valve Spring Ø7 x Ø3 x 24.5 | 1 |
| 334 | PT1150SC-V4-334 | Safety Valve Core | 1 |
| 335 | GNM19S | Grease Nipple str 6 x 1.00mm single | 1 |
| 336 | PT1150SC-V4-336 | Cylinder Frame Ø35.5 x Ø18 x 60 | 1 |
| 337 | PT1150SC-V4-337 | Bearing Protective Cover Ø83 x Ø81.4 x 13 | 1 |



| Item | Part No. | Description | Qty |
|------|-----------------|--------------------------|-----|
| 237 | PT1150SC-V4-237 | Indicator (with Printer) | 1 |
| 238 | PT1150SC-V4-238 | Battery 6V 4.5Ah 20Hr | 2 |
| 239 | PT1150SC-V4-239 | Indicator Holder | 2 |

| Item | Part No. | Description | Qty |
|------|-----------------|------------------------------|-----|
| 240 | PT1150SC-V4-240 | Printer | 1 |
| -- | PT1150SC-V4-241 | Screw M5 x 8-8.8 (Not Shown) | 1 |

NOTE: It is our policy to continually improve products and as such we reserve the right to alter data, specifications and component parts without prior notice. There may be alternative versions of this product, please contact us should you require this information.

IMPORTANT: No liability is accepted for incorrect use of product. Spare parts must be fitted by a competent person

WARRANTY: Guarantee is 12 months from purchase date, proof of which will be required for any claim.